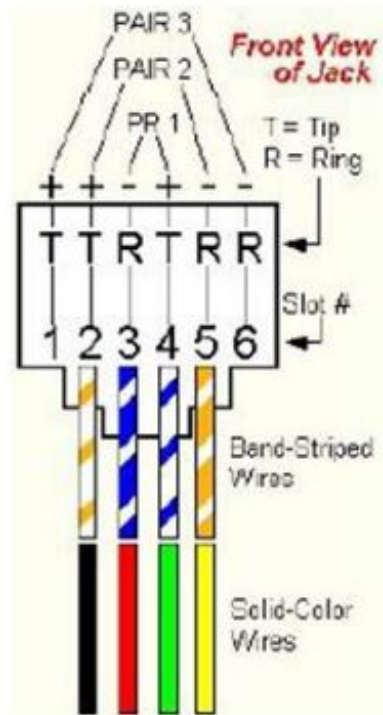
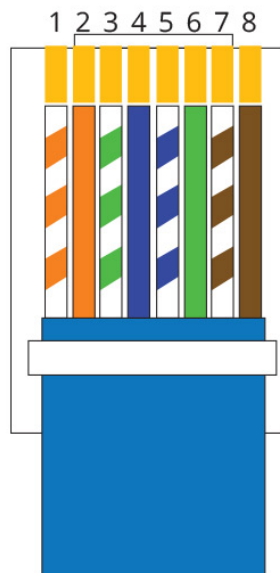
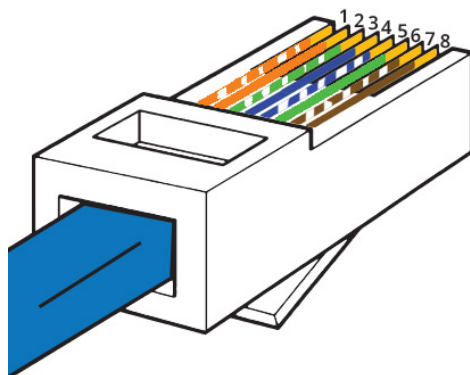


# RJ11 Pinout

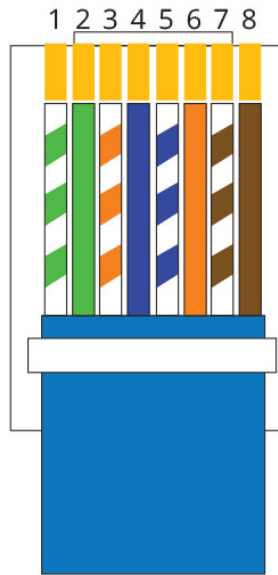
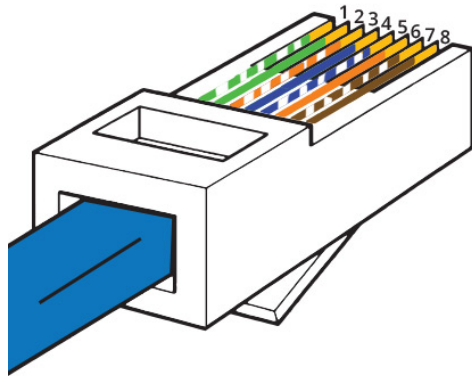


# RJ45 Pinout T-568B



- |                 |                |
|-----------------|----------------|
| 1. White Orange | 5. White Blue  |
| 2. Orange       | 6. Green       |
| 3. White Green  | 7. White Brown |
| 4. Blue         | 8. Brown       |

# RJ45 Pinout T-568A



- |                 |                |
|-----------------|----------------|
| 1. White Green  | 5. White Blue  |
| 2. Green        | 6. Orange      |
| 3. White Orange | 7. White Brown |
| 4. Blue         | 8. Brown       |